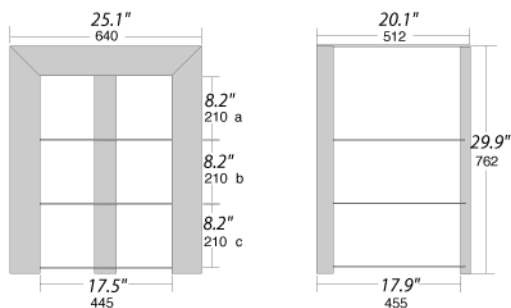
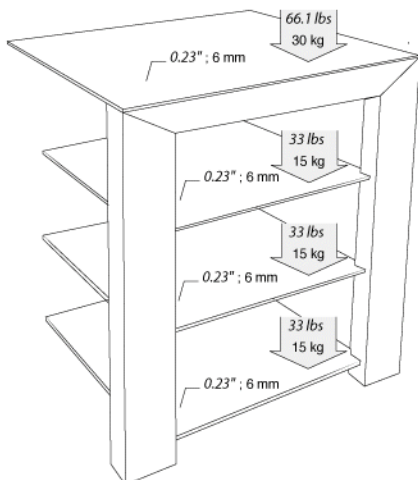




This furniture succeeds to combine an elegant design with an optimized architecture for high-end audio applications. Più's refined shape will make it easy to integrate. Its large opening guarantees an easy access going to the connectors and a good air flow to ensure a perfect cooling. Its structure will bear your entire hi-fi equipment and the top shelf will be an ideal stand for your turntable.



Specifications



Structure: Structure MDF and steel.
Glossy black finish.
Black lacquered tempered glass.

Maximum load: Top shelf can hold up to 66.1 lbs; 30 kg
Internal shelves can hold up to 33 lbs; 15 kg

Dimensions: Overall dimensions: W25.1" x D20.1" x H29.9"
W640 x D512 x H762 mm
Internal shelves: W17.5" x D17.9"
W445 x D455 mm
Superior shelf: W25.1" x D20.1"
W640 x D512 mm
Height between shelves: a: 8.2"; 210 mm
b: 8.2"; 210 mm
c: 8.2"; 210 mm

Packaging: Delivered in flat box.
Accessories: Screws kit, mounting instructions, mounting tools.

Brown packaging.
Packaging size: W31.9" x D26.8" x H4.3"
W810 x D680 x H110 mm

Gross weight: 58.9 lbs; 26,7 kg
Net weight: 48.1 lbs; 21,8 kg
Number of labels: 1 front and 1 back.

Colors:



Glossy black
black lacquered
tempered glass



Oak
black lacquered
tempered glass

Details

Oak finish



On the same range:



Più AV